



Part number

JNEF 24



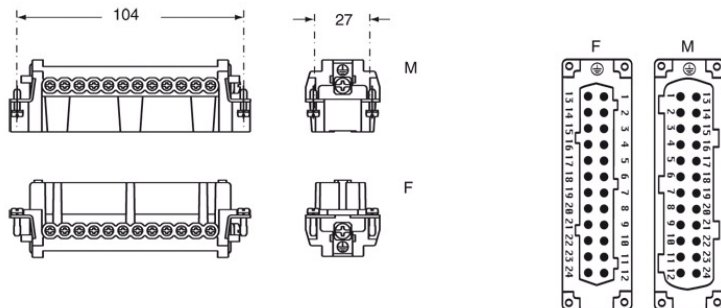
Product description		Approvals / Standards	
Model	female insert	Reference standard	EN 61984 (2001-11)
Version	screw terminal connections	Quality mark	 EAC
Series	JNE	Conformity	CQC, CE
Product type	with female contacts	General ordering information	
Variant	with plate	EAN13 code	8015747204408
Family	JEI® inserts	Tariff number	85369095
Size	size "104.27"	Packaging Information	
N. of poles	24 poles + 	Packaging length	450,00 mm
Technical data		Packaging height	175,00 mm
Current	16 A (A.C. and D.C.)	Packaging width	230,00 mm
Voltage	500 V	Packaging weight	9,84 kg
Rated impulse withstand voltage	6kV	Packaging volume	18,11 dm ³
Pollution degree	3	Packaging description	Carton box
Wire cross-section	0,50 mm ² - 4,00 mm ²	Packaging quantity	80 Pcs
AWG size	20 - 12	Packaging EAN code	8015747204552
Operating temperature range (min, max)	-40°C ... +125°C	Sub-packaging weight	0,62 kg
Contact type	tin plated	Sub-packaging description	Carton
Mating cycles	≥ 200	Sub-packaging quantity	5 Pcs
IP degree of protection	IP20 without enclosure; IP65/IP66/IP67/IP68 with enclosure	Sub-packaging EAN barcode	8015747204569
PE wire cross-section	0,14 - 4 mm ² ; AWG 20 - 12		
Further technical details			
Characteristics according to EN 61984	16A 500V 6kV 3; 16A 400/690V 6kV 2		
Insulation resistance	≥ 10 GΩ		
Rated voltage according to UL/CSA	600V		
UL 94 flammability rating	V-0		
Weight	134,00 g		

Part number

JNEF 24



Catalogue drawings



Notes

- for non-prepared conductors
- inserts with plate for section conductors:
0.5 ÷ 4 mm² - AWG 20 ÷ 12
- conductors stripping length: 7 mm
- terminal screw torque: 0.5 Nm

